

alora mood

P. 1.855.855.8926

CANADA: 19054 28TH Avenue Surrey - BC V3Z 6M3

USA: 3035 E. Lone Mountain Rd - Las Vegas, NV, 89081

EMERSON WV412009



| | |
|--------------------|------------------------------|
| FIXTURE DIMENSIONS | W8-3/4" x H12-3/4" x E9-1/8" |
| HEIGHT FROM CENTER | 10-1/2" |
| EXTENSION | 9-1/8" |
| LAMP TYPE | E26 |
| MAX WATTAGE | 60W |
| BULB QTY | 1 |
| BULBS INCLUDED | No |
| VOLTAGE | 120V |
| MATERIAL | Steel |
| INSTALL OPTIONS | Down Only |
| LOCATION | Damp |
| CANOPY DIMENSIONS | D4-5/8" x E5/8" |
| PAINT FINISH | AG01; MB01; |

[D - Diameter, L - Length, W - Width, H - Height, E - Extension]

AVAILABLE FINISHES:



WV412009AG
Aged Gold

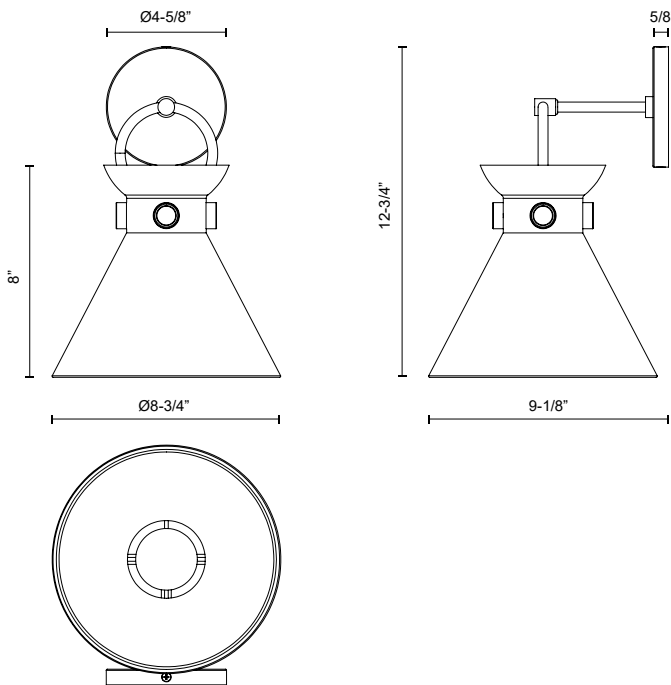


WV412009AGMB
Aged Gold/Matte
Black



WV412009MBAG
Matte Black/Aged
Gold

*For complete warranty terms, please visit: www.aloralighting.com/warranty



WWW.ALORAMOOD.COM

© 2023 KUZCO LIGHTING. ALL RIGHTS RESERVED.

